



# LAVATORY FAUCETS

- Tesla™ Bath Collection
- Single Handle Deck Mount Vessel

## STANDARD SPECIFICATIONS:

- Maximum 1.20 gpm @ 60 psi, 4.54 L/min @ 414 kPa
- Single hole mount
- Solid brass fabricated body
- 1 1/8" minimum - 1 1/2" maximum hole size
- Diamond coated ceramic cartridge
- Handle rotates 22°
- 3/8" O.D. straight, staggered PEX supply tubes
- Red/blue indicator markings
- Drain sold separately

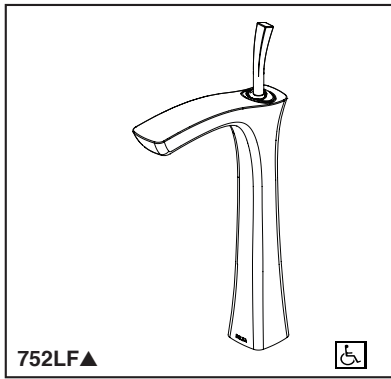
## WARRANTY

- Lifetime limited warranty on parts (other than electronic parts and batteries) and finishes: or, for commercial users, for 5 years from date of purchase.
- 5 year limited warranty on electronic parts (other than batteries); or, for commercial users, for 1 year from the date of purchase. No warranty is provided on batteries.



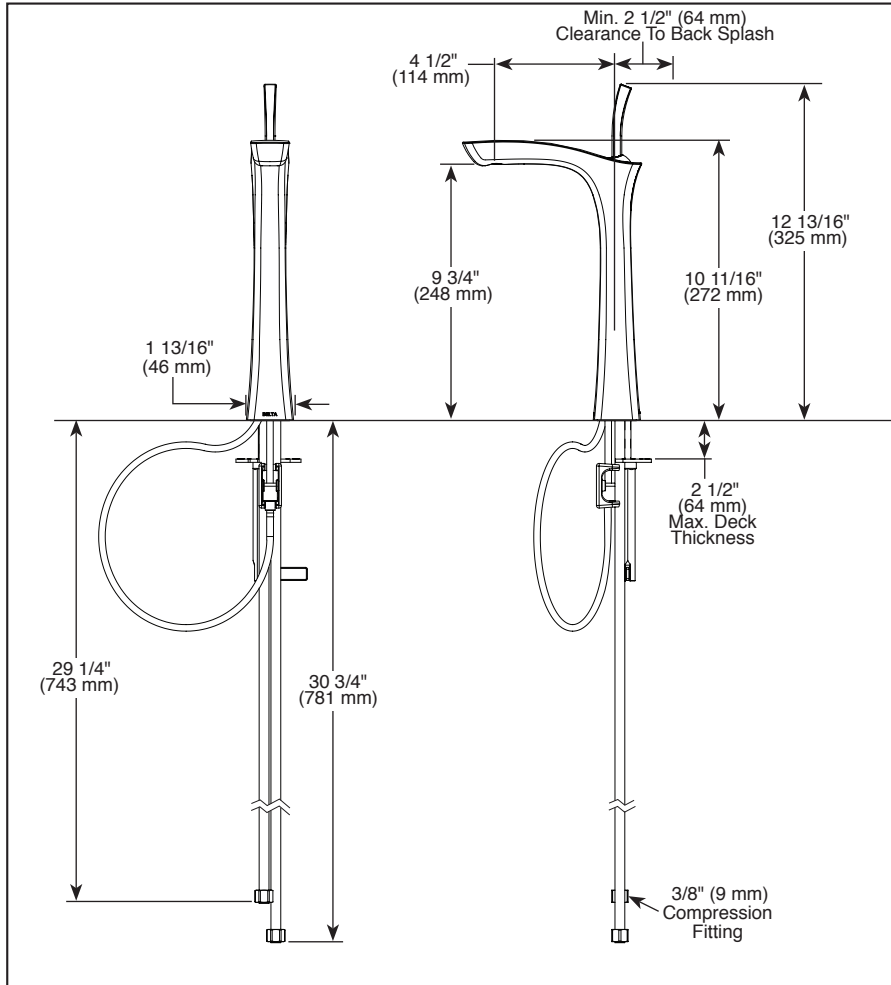
## COMPLIES WITH:

- ASME A112.18.1 / CSA B125.1
- Indicates compliance to ICC/ANSI A117.
- EPA WaterSense®
- Verified compliant with 0.25% weighted average Pb content regulations.



Submitted Model No.: \_\_\_\_\_

Specific Features: \_\_\_\_\_



▲ Designate Proper Finish Suffix

