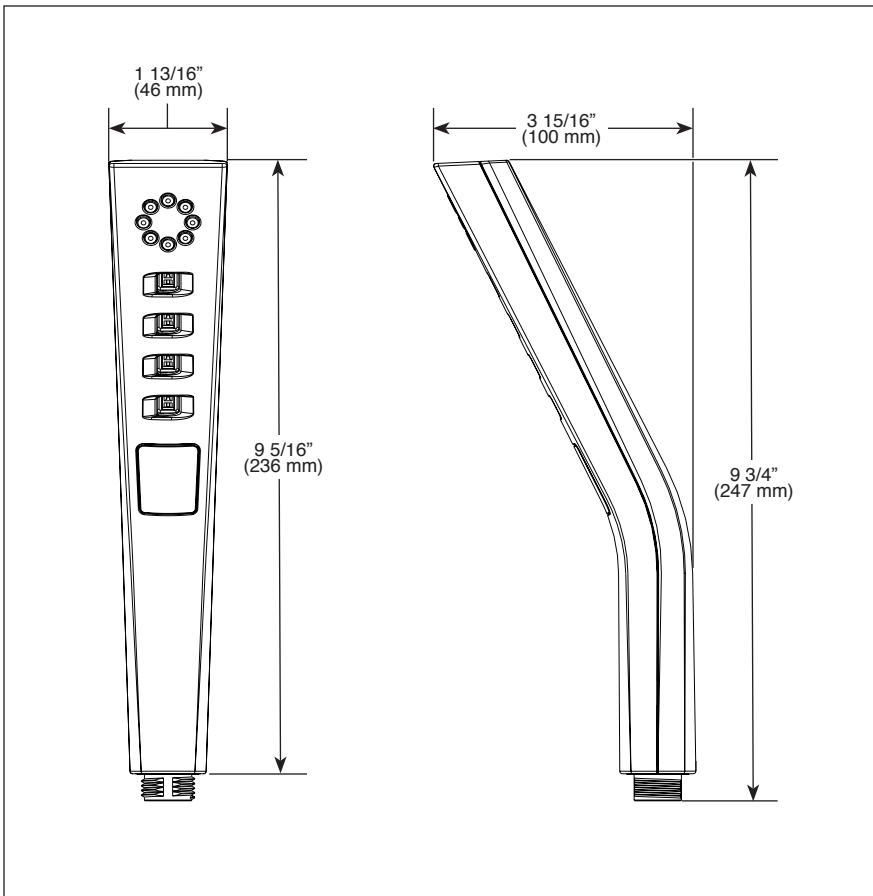


Submitted Model No.: \_\_\_\_\_

Specific Features: \_\_\_\_\_



▲ Designate proper finish suffix

**Spray Pattern**



**HANDSHOWER**

- H2Okinetic Technology® Handshower
- 3-Spray Setting Handshower

**STANDARD SPECIFICATIONS:**

- Maximum 1.75 gpm @ 80 psi, 6.6 L/min @ 550 kPa.
- Certified dual check valves for backflow protection.
- Change spray modes with pushbutton.
- Hand held shower with three spray settings - not a positive shut-off.

**WARRANTY**

- Lifetime limited warranty on parts (other than electronic parts and batteries) and finishes; or, for commercial users, for 5 years from the date of purchase.
- 5 year limited warranty on electronic parts (other than batteries); or for commercial users, for 1 year from the date of purchase. No warranty is provided on batteries.



**COMPLIES WITH:**

- ASME A112.18.1 / CSA B125.1
- ASME A112.18.3
- EPA WaterSense®



55 E. 111th Street, Indianapolis, Indiana 46280  
 350 South Edgeware Road, St. Thomas, Ontario Canada N5P 4L1  
 © 2016 Masco Corporation of Indiana

Delta reserves the right (1) to make changes in specifications and materials, and (2) to change or discontinue models, both without notice or obligation. Dimensions are for reference only. See current full-line price book or [www.deltafaucet.com](http://www.deltafaucet.com) for finish options and product availability.

DSP-B-59799-PK Rev. B