



TUB & SHOWER FAUCET TRIM

- Modern Cylindrical
- Valve Only Trim (T14059-PP)
- Shower Only Trim (T14259-PP)
- Tub/Shower Trim (T14459-PP)
- Shower Only Trim – Less Showerhead (T14259-PP-LHD)
- Tub/Shower Trim – Less Showerhead (T14459-PP-LHD)

STANDARD SPECIFICATIONS:

- Single handle pressure balanced tub and shower mixing valve.
- Maintains a balanced pressure of hot and cold water even when a valve is turned on or off elsewhere in the system.
- For use with MultiChoice® Universal rough valve body – NOT INCLUDED AND MUST BE ORDERED SEPARATELY (R10000 Series).
- 1/2" FIP threaded metal tub spout with pull-up diverter.
- Back-to-back installation capability.
- Field adjustable means to limit handle rotation into hot water zone.
- Temperature only controlled with handle.
- All parts replaceable from the front of the valve.
- "LHD" indicates less showerhead models.
- Maximum flow rate of spout: 6.8 gpm @ 60 psi (25.7 L/min @ 414 kPa) or full flow.
- Maximum flow rate of showerhead: 1.75 gpm @ 80 psi (6.6 L/min @ 552 kPa).

WARRANTY

- Lifetime Faucet and Finish Limited Warranty to the original consumer purchaser to be free from defects in material and workmanship.
- 5 Year Limited Warranty for usage in all industrial, commercial and business applications.

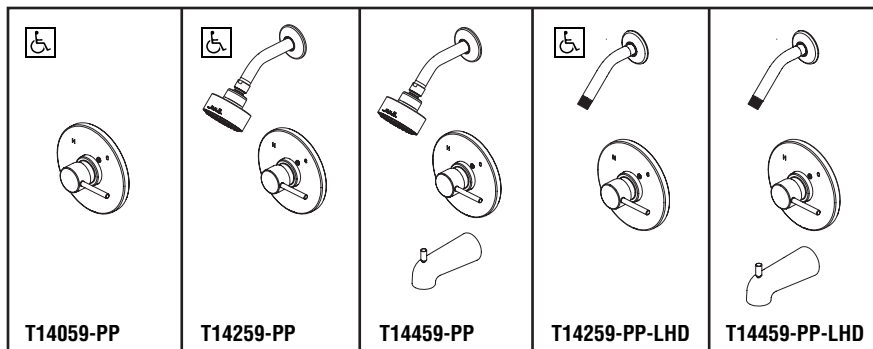


COMPLIES WITH:

- ASME A112.18.1 / CSA B125.1
- ASSE 1016-P
- Indicates ADA compliance to ICC/ANSI A117.1 – Valve control only

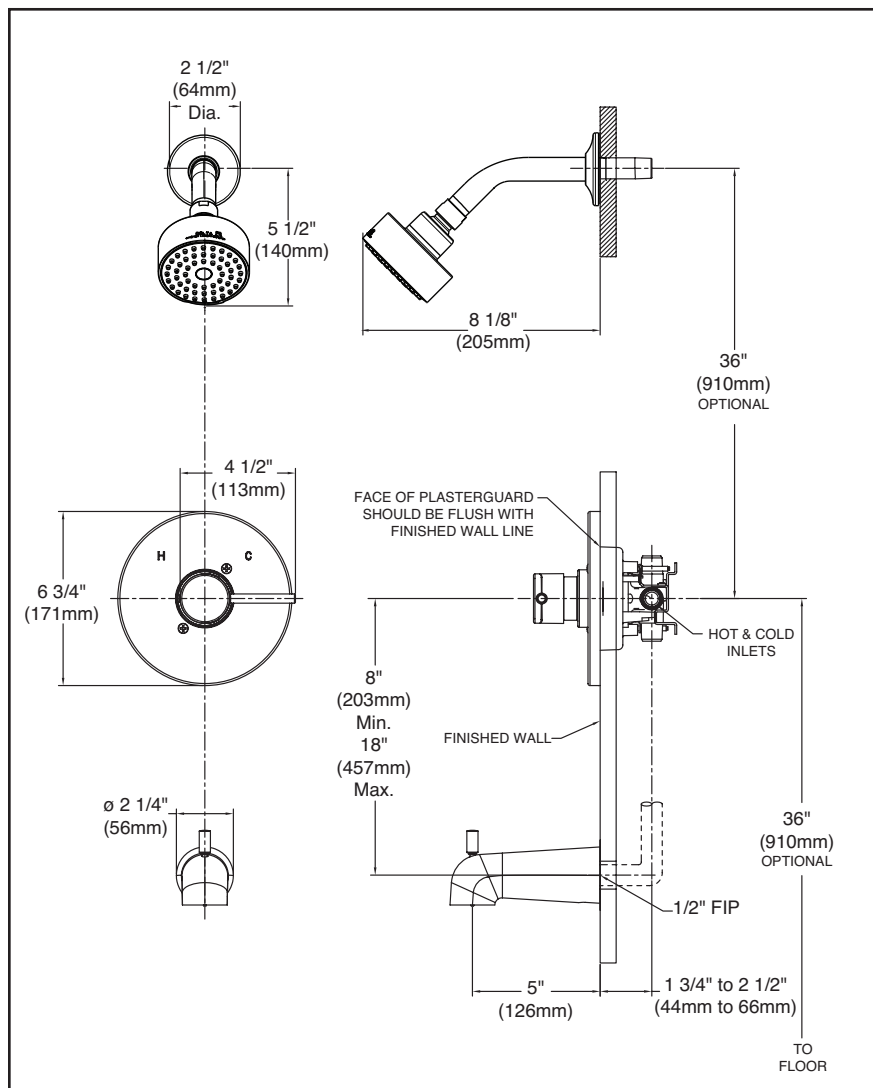


55 E. 111th Street, Indianapolis, IN 46280
 350 South Edgeview Road, St. Thomas, ON N5P 4L1
 © 2017 Delta Faucet Company



Submitted Model No.: _____

Specific Features: _____



Delta reserves the right (1) to make changes in specifications and materials, and (2) to change or discontinue models, both without notice or obligation. Dimensions are for reference only. See current full-line price book or www.specselect.com for finish options and product availability.