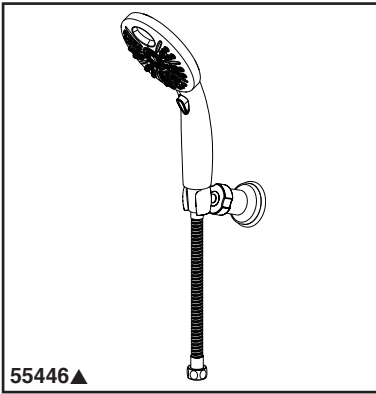




HANDSHOWER

- Temp20™ temperature display handshower
- 6-spray setting wall mount handshower
- Touch-Clean® nozzles
- Temperature display changes color as temperature increases



Submitted Model No.: _____

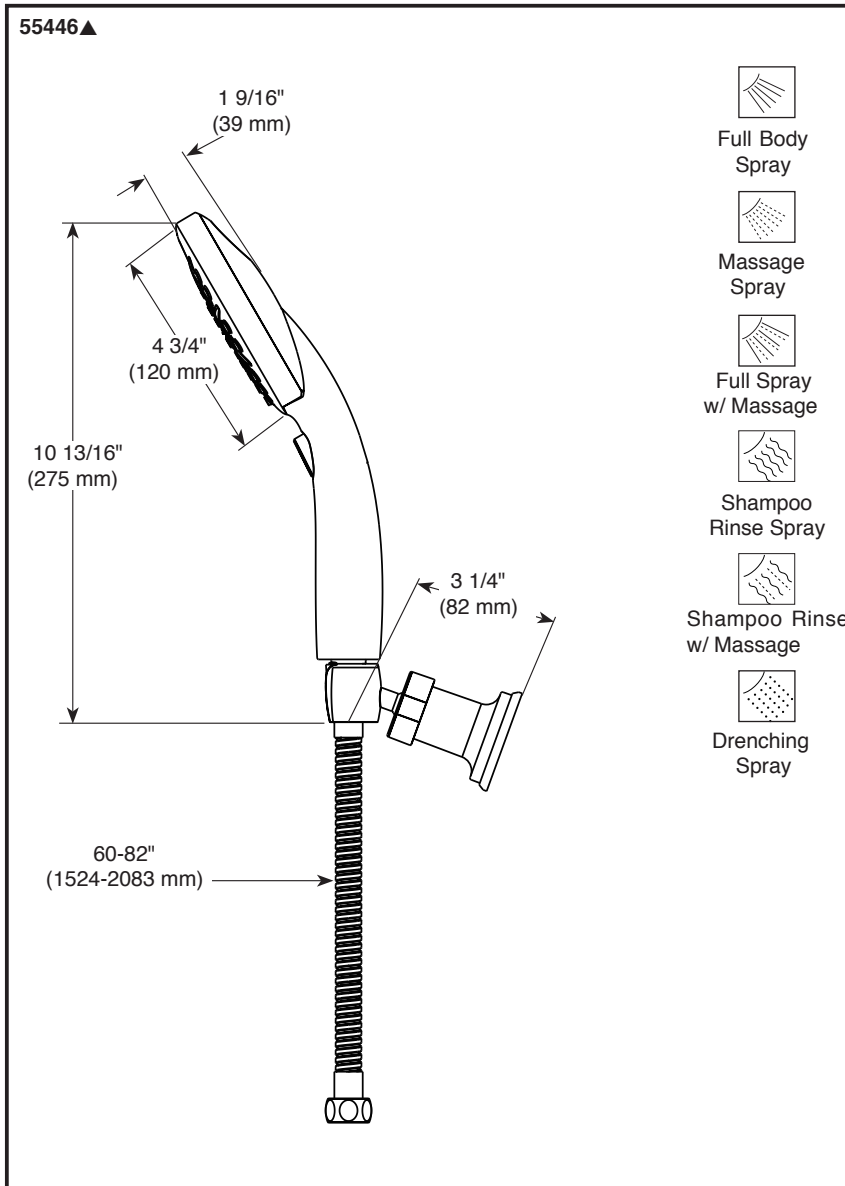
Specific Features: _____

STANDARD SPECIFICATIONS:

- Maximum flow rate 2.0 gpm (7.6L/min) @ 80 PSI.
- 60-82" (1524-2083mm) metal stretchable hose.
- Change spray modes with pushbutton.
- No batteries required.
- Dual check valves for backflow prevention.

WARRANTY

- Lifetime limited warranty on parts (other than electronic parts and batteries) and finishes; or, for commercial users, for 5 years from the date of purchase.
- 5 year limited warranty on electronic parts (other than batteries); or for commercial users, for 1 year from the date of purchase. No warranty is provided on batteries.



COMPLIES WITH:

- ASME A112.18.1 / CSA B125.1
- EPA WaterSense®

▲ Designate proper finish suffix

Delta reserves the right (1) to make changes in specifications and materials, and (2) to change or discontinue models, both without notice or obligation. Dimensions are for reference only. See current full-line price book or www.deltafaucet.com for finish options and product availability.



55 E. 111th Street, Indianapolis, Indiana 46280
350 South Edgeware Road, St. Thomas, Ontario Canada N5P 4L1
© 2015 Masco Corporation of Indiana