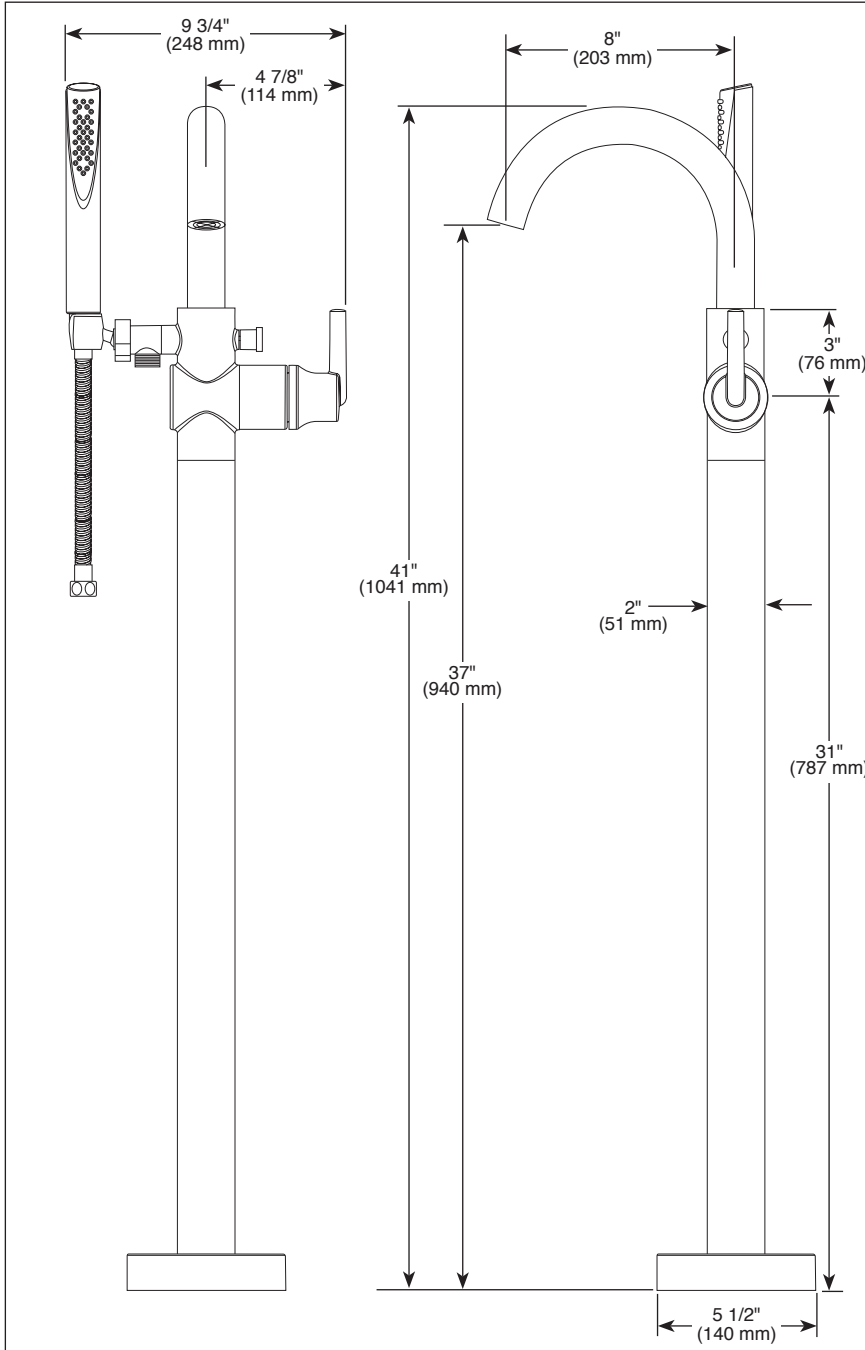


Submitted Model No.: \_\_\_\_\_

Specific Features: \_\_\_\_\_



▲ Designate Proper Finish Suffix

Delta reserves the right (1) to make changes in specifications and materials, and (2) to change or discontinue models, both without notice or obligation. Dimensions are for reference only. See current full-line price book or [www.deltafaucet.com](http://www.deltafaucet.com) for finish options and product availability.

DSP-B-T4759-FL Rev. E



see what Delta can do<sup>SM</sup>

## FLOOR MOUNT TUB FILLER

■ Coordinates with Trinsic<sup>®</sup> and Compel<sup>®</sup> Bath Collections

### FEATURES:

- Multichoice<sup>®</sup> pressure balance cartridge

### STANDARD SPECIFICATIONS:

- Handshower maximum 1.75 gpm @ 80 psi, 6.6 L/Min @ 550 kPa
- Hot and cold indicators
- Swing spout
- 60"-82" stretchable hose with metal fittings
- Auto resetting diverter
- Dual integral check valves
- Optional high flow cartridge (RP73598) available
- Pivot handshower holder
- Must order R4700-FL or R4700-FLWS

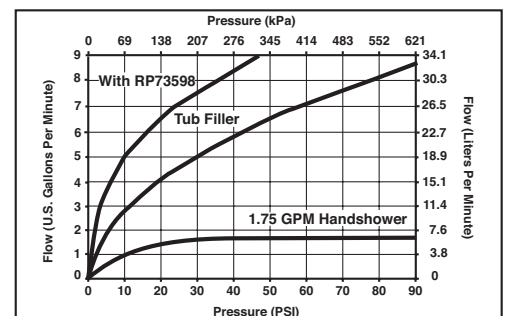
### WARRANTY

- Lifetime limited warranty on parts (other than electronic parts and batteries) and finishes: or, for commercial users, for 5 years from date of purchase.
- 5 year limited warranty on electronic parts (other than batteries); or, for commercial users, for 1 year from the date of purchase. No warranty is provided on batteries.

### COMPLIES WITH:

- ASME A112.18.1 / CSA B125.1

Indicates compliance to ICC/ANSI A117.1 - Valve control only



### Delta Faucet Company

55 E. 111th Street, Indianapolis, IN 46280  
 350 South Edgeware Road, St. Thomas, ON N5P 4L1  
 © 2017 Delta Faucet Company