



Type T/P ½" coaxial 3-way system with hand shower rail, shower head and spout EXPANSION PEX

KIT#1345PFTQ-6-EX



UPC®

Specifications

Composition

- TPFTQ45C - 3-way Type T/P coaxial valve trim
- R45-EX - 3-way Type T/P coaxial valve rough without cartridge EXPANSION PEX
- 4845C - Hand shower rail
- 488C - 20 cm (8") shower head
- 518C - 15 cm (6") vertical shower arm
- 720C - Elbow supply
- 847C - Wall-mount tub spout

Available colors

- C : Chrome

Certifications

- CSA B125.1
- ASME A112.18.1
- ASSE 1016
- CMR248 Approval

Warranty

This **Riobel Inc.** product you have purchased carries a Limited Lifetime Warranty on the chrome, PVD finish, blacks and all working parts and is guaranteed from the initial purchase date against all manufacturing defects. All other finishes, including plastic components, are guaranteed for one year. All electric and/or electronic parts are covered by a 5-year limited warranty.

Customer Service

Ontario, West Canada : 888-287-5354 Quebec, Maritimes, United States : 866-473-8442



3-way Type T/P coaxial valve trim
TPFTQ45



Specifications

Descriptions

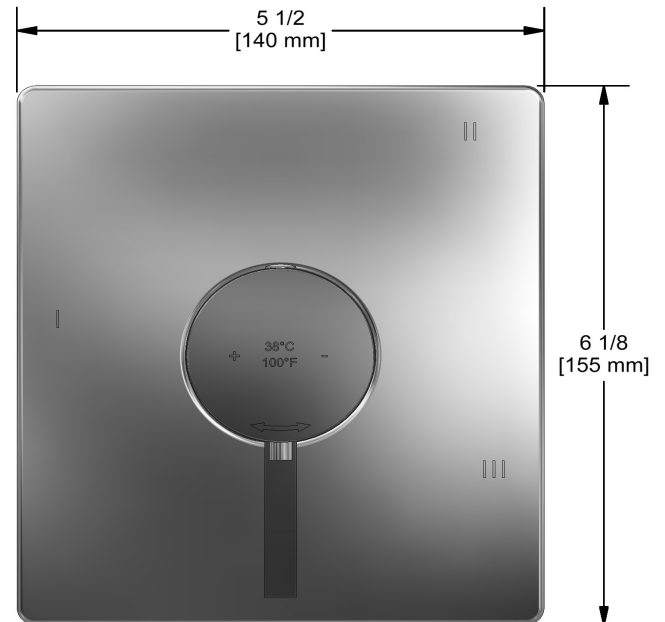
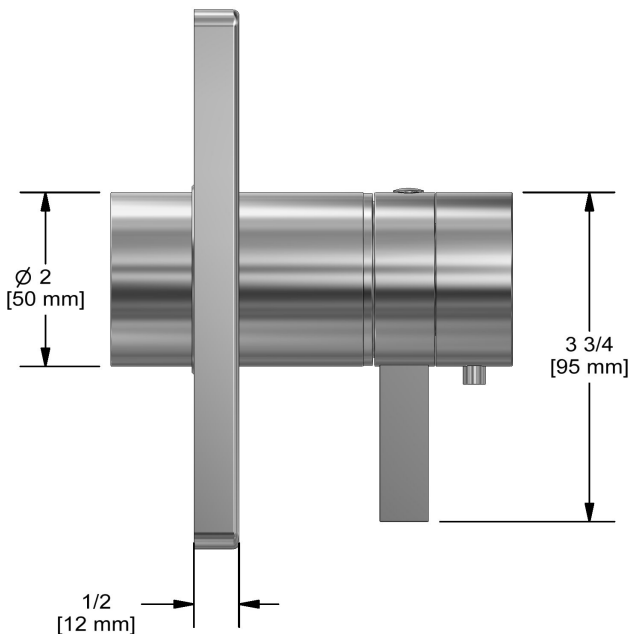
- R45, R45-SPEX or R45-EX rough required to complete
- Thermostatic/pressure balance coaxial cartridge with check valves
- Trim only
- 6 positions (OFF, 1, 1 and 2, 2, 2 and 3, 3) share

Available colors

- C : Chrome

Certifications

- CSA B125.1
- ASME A112.18.1
- ASSE 1016
- CMR248 Approval
- ADA



Sizes, models and finishes may differ from those presented.

Warranty

This **Riobel Inc.** product you have purchased carries a Limited Lifetime Warranty on the chrome, PVD finish, blacks and all working parts and is guaranteed from the initial purchase date against all manufacturing defects. All other finishes, including plastic components, are guaranteed for one year. All electric and/or electronic parts are covered by a 5-year limited warranty.

Customer Service

Ontario, West Canada : 888-287-5354 Quebec, Maritimes, United States : 866-473-8442

2020.06.14



3-way Type T/P coaxial valve rough without cartridge
 EXPANSION PEX
R45-EX



Specifications

Descriptions

- TXX45XX or TXX47XX trim required to complete
- Service valves
- Rough only
- Three 1/2" outlets EXPANSION PEX
- 1/2" inlet EXPANSION PEX
- Test cap

Available colors

- :

Certifications

- CSA B125.1
- ASME A112.18.1
- ASSE 1016
- CMR248 Approval



Sizes, models and finishes may differ from those presented.

Warranty

This **Riobel Inc.** product you have purchased carries a Limited Lifetime Warranty on the chrome, PVD finish, blacks and all working parts and is guaranteed from the initial purchase date against all manufacturing defects. All other finishes, including plastic components, are guaranteed for one year. All electric and/or electronic parts are covered by a 5-year limited warranty.

Customer Service

Ontario, West Canada : 888-287-5354 Quebec, Maritimes, United States : 866-473-8442



Hand shower rail
4845



Specifications

Descriptions

- Scale-free
- 4365, 2-jet hand shower
- 150 cm (59") double interlock flexible hose, swivel and 2 check valves
- Rectangular slide bar
- Easy-Glide left cursor

Available colors

- C : Chrome

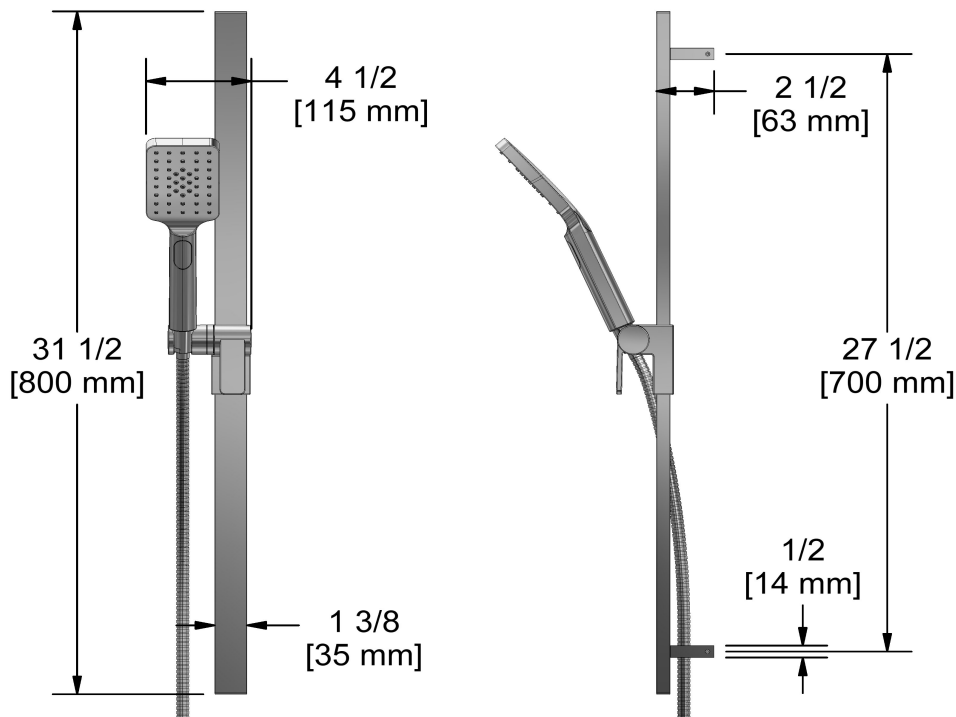
Available flows

- 7.6 L/min, 2.0 gpm (US) 60psi
- 5.69 L/min, 1.5 gpm (US) 60psi (**4845-15**)
- 6.6L/min, 1.75 gpm (US) 60psi (**4845-WS**) *

EPA certification applicable to the indicated model only

Certifications

- CSA B125.1
- ASME A112.18.1
- CMR248 Approval



Sizes, models and finishes may differ from those presented.

Warranty

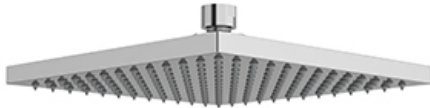
This **Riobel Inc.** product you have purchased carries a Limited Lifetime Warranty on the chrome, PVD finish, blacks and all working parts and is guaranteed from the initial purchase date against all manufacturing defects. All other finishes, including plastic components, are guaranteed for one year. All electric and/or electronic parts are covered by a 5-year limited warranty.

Customer Service

Ontario, West Canada : 888-287-5354 Quebec, Maritimes, United States : 866-473-8442



20 cm (8") shower head
488



Specifications

Descriptions

- Scale-free
- Swivel
- G $\frac{1}{2}$ " inlet female

Available colors

- C : Chrome
- BN : Brushed Nickel (PVD)

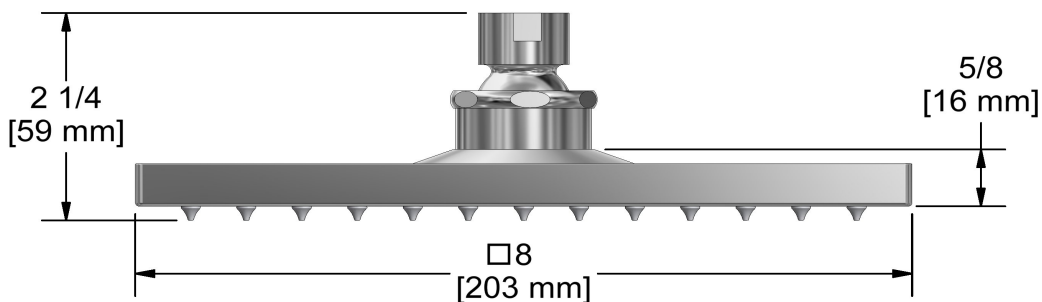
Available flows

- 7.6 L/min, 2.0 gpm (US) 60psi
- 5.69 L/min, 1.5 gpm (US) 60psi (**488-15**)
- 6.6L/min, 1.75 gpm (US) 60psi (**488-WS**) *

EPA certification applicable to the indicated model only

Certifications

- CSA B125.1
- ASME A112.18.1
- CMR248 Approval



Sizes, models and finishes may differ from those presented.

Warranty

This **Riobel Inc.** product you have purchased carries a Limited Lifetime Warranty on the chrome, PVD finish, blacks and all working parts and is guaranteed from the initial purchase date against all manufacturing defects. All other finishes, including plastic components, are guaranteed for one year. All electric and/or electronic parts are covered by a 5-year limited warranty.

Customer Service

Ontario, West Canada : 888-287-5354 Quebec, Maritimes, United States : 866-473-8442



15 cm (6") vertical shower arm

518



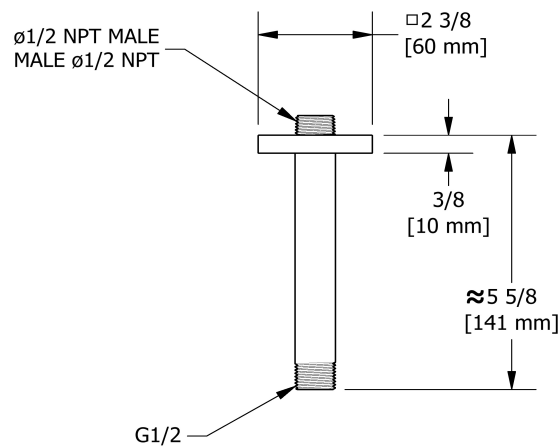
Specifications

Descriptions

- 1/2" inlet male NPT
- Square flange with set screw

Available colors

- C : Chrome
- BN : Brushed Nickel (PVD)



Sizes, models and finishes may differ from those presented.

Warranty

This **Riobel Inc.** product you have purchased carries a Limited Lifetime Warranty on the chrome, PVD finish, blacks and all working parts and is guaranteed from the initial purchase date against all manufacturing defects. All other finishes, including plastic components, are guaranteed for one year. All electric and/or electronic parts are covered by a 5-year limited warranty.

Customer Service

Ontario, West Canada : 888-287-5354 Quebec, Maritimes, United States : 866-473-8442

2020.06.14



Elbow supply
720



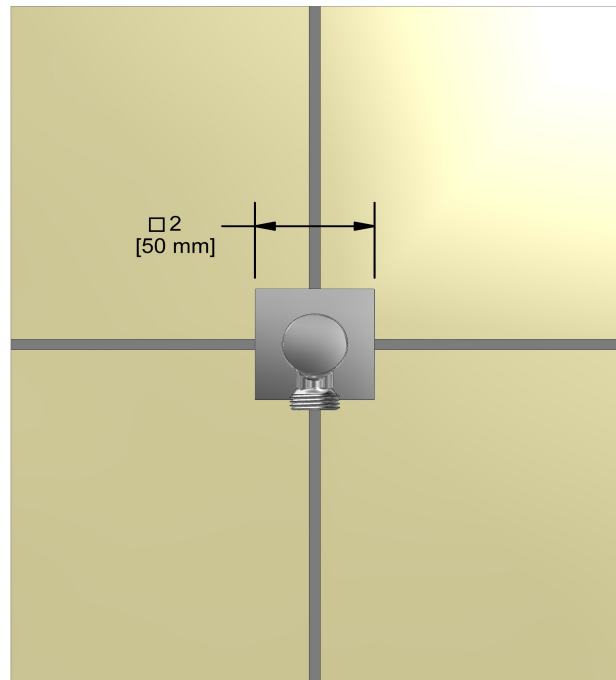
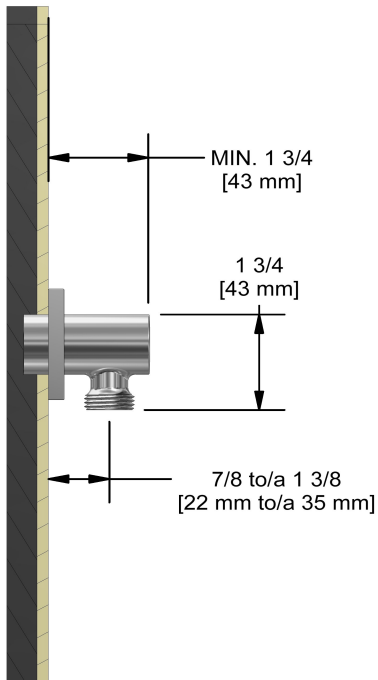
Specifications

Descriptions

- 1/2" outlet male
- 1/2" inlet female NPT
- Adjustable depth

Available colors

- C : Chrome
- BN : Brushed Nickel (PVD)



Sizes, models and finishes may differ from thoses presented.

Warranty

This **Riobel Inc.** product you have purchased carries a Limited Lifetime Warranty on the chrome, PVD finish, blacks and all working parts and is guaranteed from the initial purchase date against all manufacturing defects. All other finishes, including plastic components, are guaranteed for one year. All electric and/or electronic parts are covered by a 5-year limited warranty.

Customer Service

Ontario, West Canada : 888-287-5354 Quebec, Maritimes, United States : 866-473-8442



Wall-mount tub spout
847



Specifications

Descriptions

- 1/2" copper slip fit inlet
- Brass
- Drilling hole diameter = 1 (25mm)

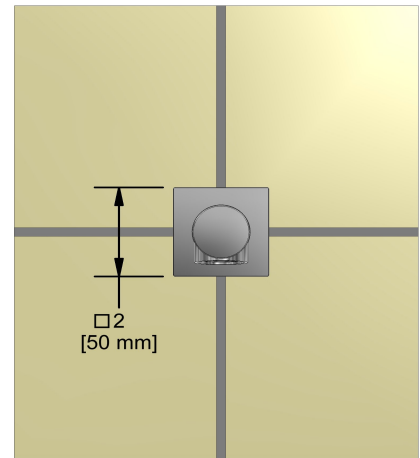
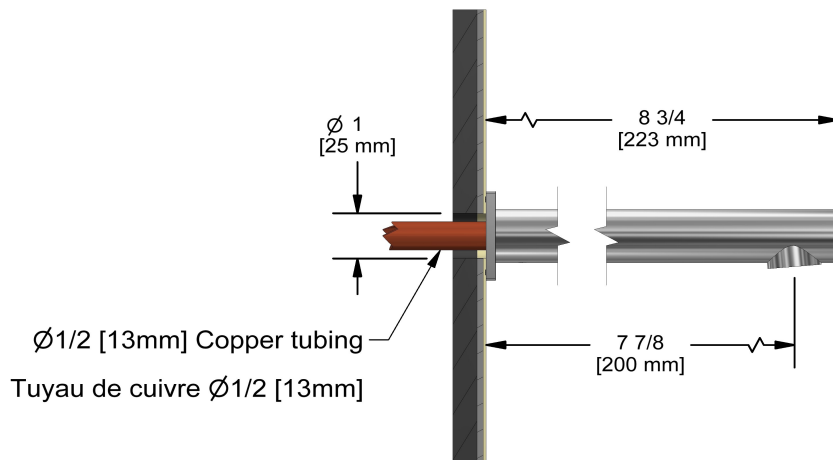
Available colors

- C : Chrome
- BN : Brushed Nickel (PVD)

Certifications

- CSA B125.1
- ASME A112.18.1
- CMR248 Approval

UPC®



Sizes, models and finishes may differ from those presented.

Warranty

This **Riobel Inc.** product you have purchased carries a Limited Lifetime Warranty on the chrome, PVD finish, blacks and all working parts and is guaranteed from the initial purchase date against all manufacturing defects. All other finishes, including plastic components, are guaranteed for one year. All electric and/or electronic parts are covered by a 5-year limited warranty.

Customer Service

Ontario, West Canada : 888-287-5354 Quebec, Maritimes, United States : 866-473-8442

2020.06.14