



½" 2-way Type T/P coaxial system with spout and hand shower rail EXPANSION PEX

KIT#1244PATQ-EX



UPC®

Specifications

Composition

- TPATQ44C - 2-way no share Type T/P coaxial valve trim
- R23-EX - 2-way Type T/P coaxial valve rough EXPANSION PEX
- 2020C - Hand shower rail
- 720C - Elbow supply
- 847C - Wall-mount tub spout

Certifications

- CSA B125.1
- ASME A112.18.1
- ASSE 1016

Warranty

This **Riobel Inc.** product you have purchased carries a Limited Lifetime Warranty on the chrome, PVD finish, blacks and all working parts and is guaranteed from the initial purchase date against all manufacturing defects. All other finishes, including plastic components, are guaranteed for one year. All electric and/or electronic parts are covered by a 5-year limited warranty.

Customer Service

Ontario, West Canada : 888-287-5354 Quebec, Maritimes, United States : 866-473-8442



2-way no share Type T/P coaxial valve trim
TPATQ44



Specifications

Descriptions

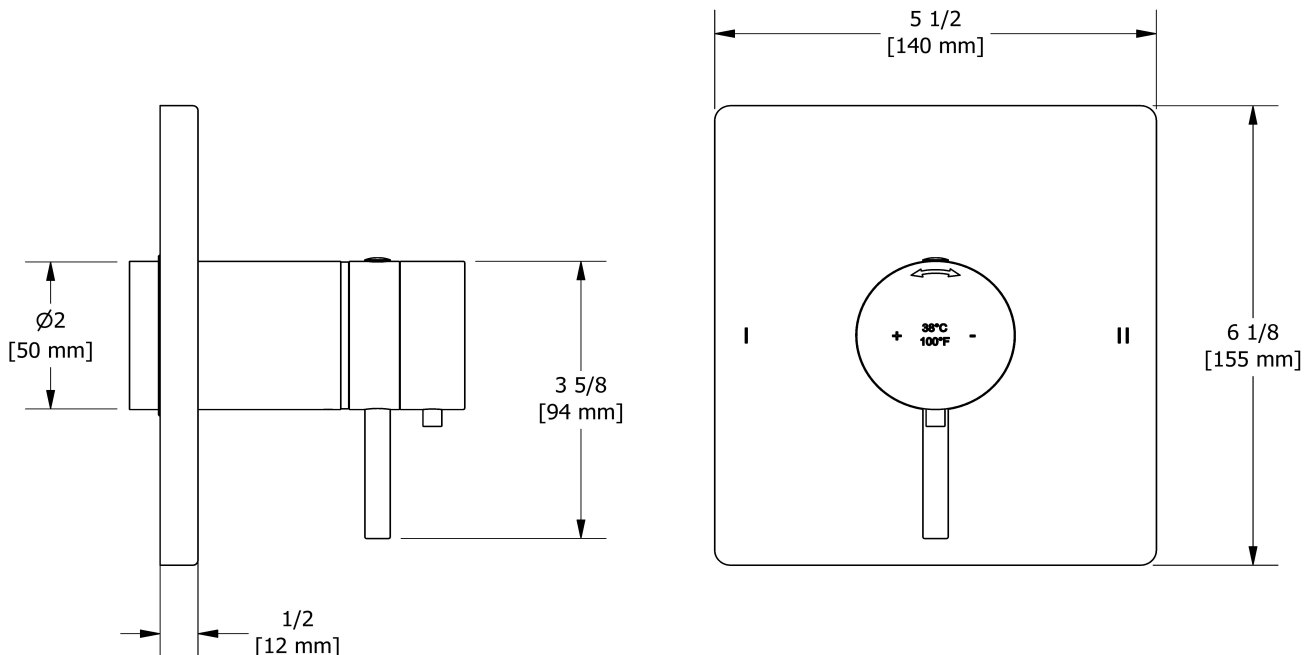
- R23, R23-SPEX or R23-EX rough required to complete
- 3 positions (OFF, 1, 2) no share
- Trim only
- Thermostatic/pressure balance coaxial cartridge with check valves

Available colors

- C : Chrome
- BN : Brushed Nickel (PVD)
- PN : Polished Nickel (PVD)

Certifications

- CSA B125.1
- ASME A112.18.1
- ASSE 1016
- CMR248 Approval
- ADA



Sizes, models and finishes may differ from those presented.

Warranty

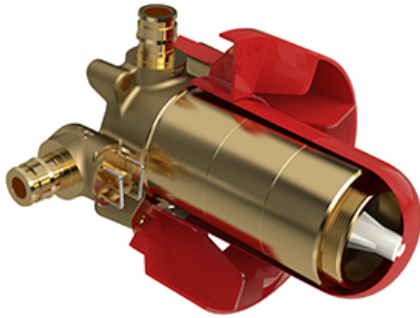
This **Riobel Inc.** product you have purchased carries a Limited Lifetime Warranty on the chrome, PVD finish, blacks and all working parts and is guaranteed from the initial purchase date against all manufacturing defects. All other finishes, including plastic components, are guaranteed for one year. All electric and/or electronic parts are covered by a 5-year limited warranty.

Customer Service

Ontario, West Canada : 888-287-5354 Quebec, Maritimes, United States : 866-473-8442



2-way Type T/P coaxial valve rough EXPANSION
PEX
R23-EX



Specifications

Descriptions

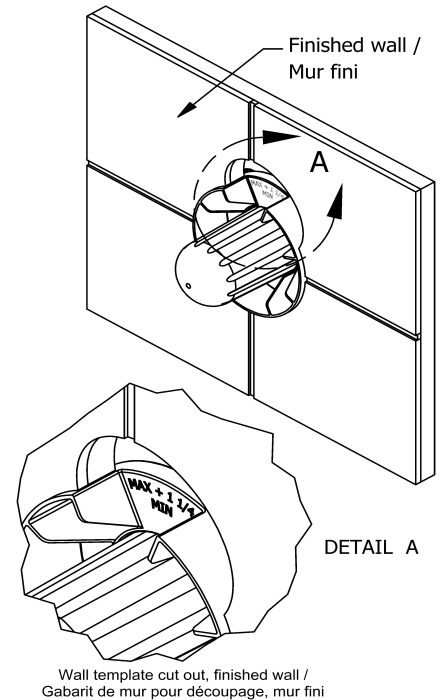
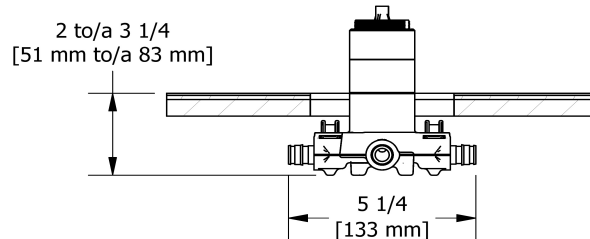
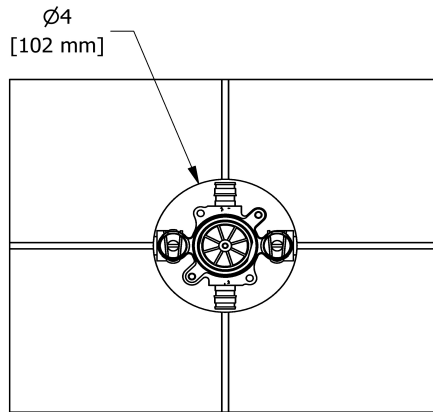
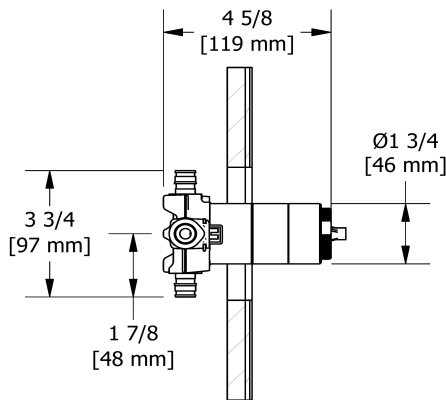
- TXX23XX or TXX44XX trim required to complete
- Service valves
- Rough only
- Test cap
- 1/2" inlet EXPANSION PEX
- Two 1/2" outlets EXPANSION PEX

Available colors

- :

Certifications

- CSA B125.1
- ASME A112.18.1
- ASSE 1016
- CMR248 Approval



Sizes, models and finishes may differ from thoses presented.

Warranty

This **Riobel Inc.** product you have purchased carries a Limited Lifetime Warranty on the chrome, PVD finish, blacks and all working parts and is guaranteed from the initial purchase date against all manufacturing defects. All other finishes, including plastic components, are guaranteed for one year. All electric and/or electronic parts are covered by a 5-year limited warranty.

Customer Service

Ontario, West Canada : 888-287-5354 Quebec, Maritimes, United States : 866-473-8442



Hand shower rail
2020



Specifications

Descriptions

- 10, 4-jet hand shower with pause
- Scale-free
- 150 cm (59") double interlock flexible hose, swivel and 2 check valves
- Ø19 mm (¾") slide bar
- Easy-Glide left cursor

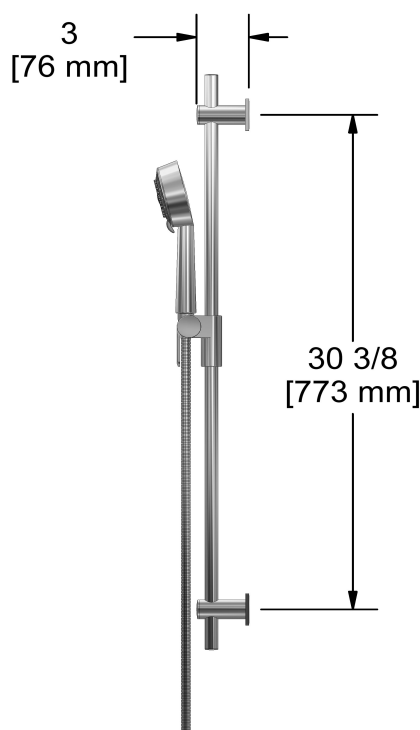
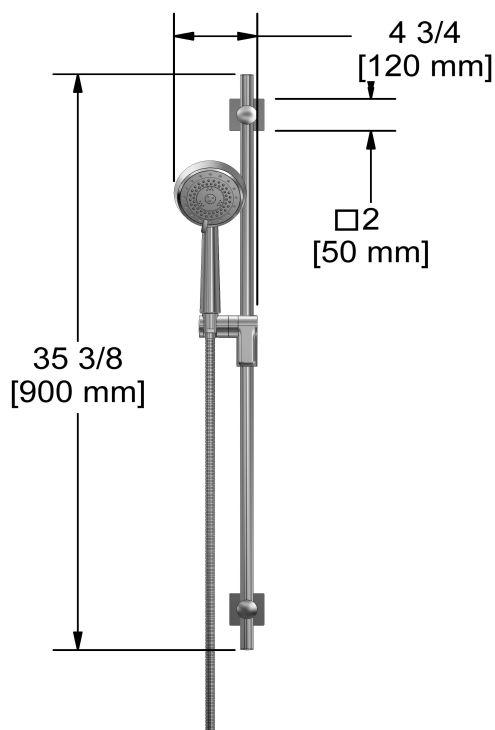
Available colors

- C : Chrome
- BN : Brushed Nickel (PVD)
- PN : Polished Nickel (PVD)

Available flows

- 7.6 L/min, 2.0 gpm (US) 60psi *
- 5.69 L/min, 1.5 gpm (US) 60psi (2020-15)
- 6.7 L/min, 1.8 gpm (US) 60psi (2020-WS) *

EPA certification applicable to the indicated model only



Sizes, models and finishes may differ from those presented.

Warranty

This **Riobel Inc.** product you have purchased carries a Limited Lifetime Warranty on the chrome, PVD finish, blacks and all working parts and is guaranteed from the initial purchase date against all manufacturing defects. All other finishes, including plastic components, are guaranteed for one year. All electric and/or electronic parts are covered by a 5-year limited warranty.

Customer Service

Ontario, West Canada : 888-287-5354 Quebec, Maritimes, United States : 866-473-8442



Elbow supply
720



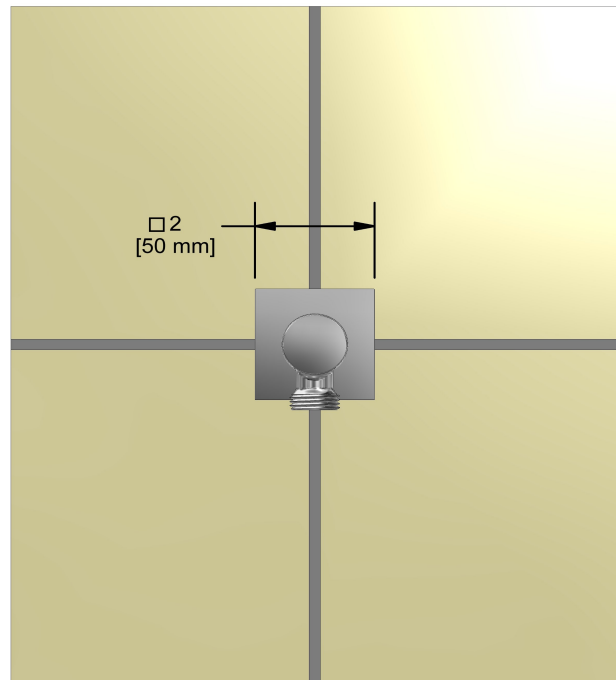
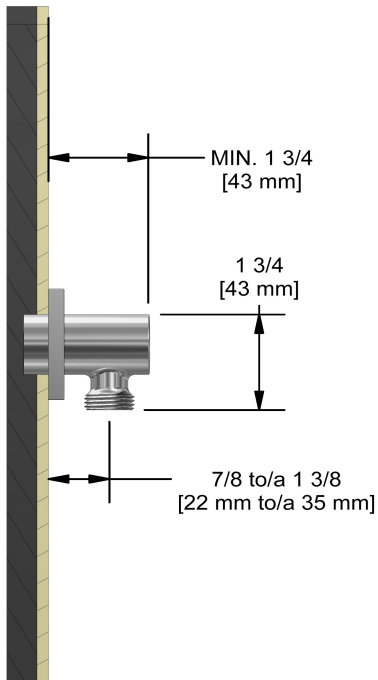
Specifications

Descriptions

- 1/2" outlet male
- 1/2" inlet female NPT
- Adjustable depth

Available colors

- C : Chrome
- BN : Brushed Nickel (PVD)



Sizes, models and finishes may differ from thoses presented.

Warranty

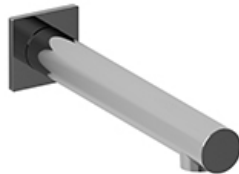
This **Riobel Inc.** product you have purchased carries a Limited Lifetime Warranty on the chrome, PVD finish, blacks and all working parts and is guaranteed from the initial purchase date against all manufacturing defects. All other finishes, including plastic components, are guaranteed for one year. All electric and/or electronic parts are covered by a 5-year limited warranty.

Customer Service

Ontario, West Canada : 888-287-5354 Quebec, Maritimes, United States : 866-473-8442



Wall-mount tub spout
847



Specifications

Descriptions

- 1/2" copper slip fit inlet
- Brass
- Drilling hole diameter = 1 (25mm)

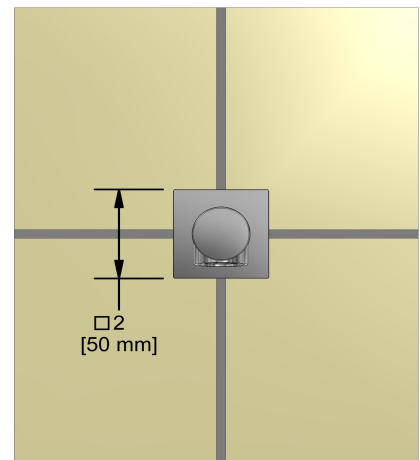
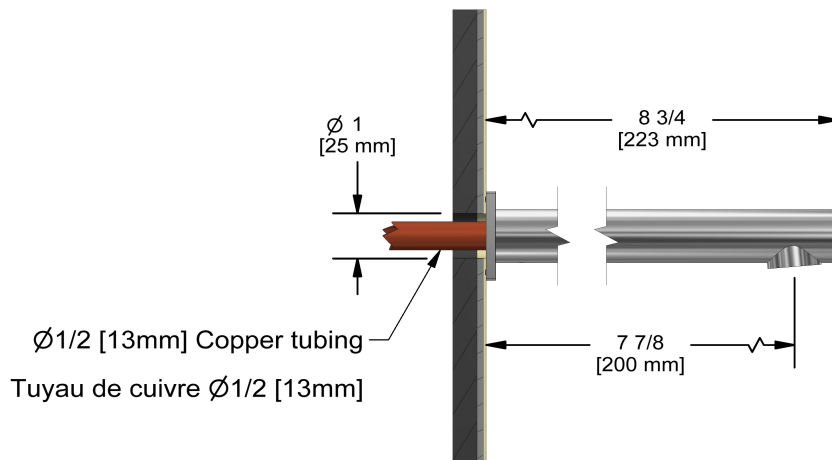
Available colors

- C : Chrome
- BN : Brushed Nickel (PVD)

Certifications

- CSA B125.1
- ASME A112.18.1
- CMR248 Approval

UPC®



Sizes, models and finishes may differ from those presented.

Warranty

This **Riobel Inc.** product you have purchased carries a Limited Lifetime Warranty on the chrome, PVD finish, blacks and all working parts and is guaranteed from the initial purchase date against all manufacturing defects. All other finishes, including plastic components, are guaranteed for one year. All electric and/or electronic parts are covered by a 5-year limited warranty.

Customer Service

Ontario, West Canada : 888-287-5354 Quebec, Maritimes, United States : 866-473-8442

2020.06.14