



2-way Type T/P coaxial complete valve EXPANSION
PEX
EQ23-EX



Specifications

Composition

- TEQ23C - 2-way Type T/P coaxial valve trim
- R23-EX - 2-way Type T/P coaxial valve rough EXPANSION PEX

Available colors

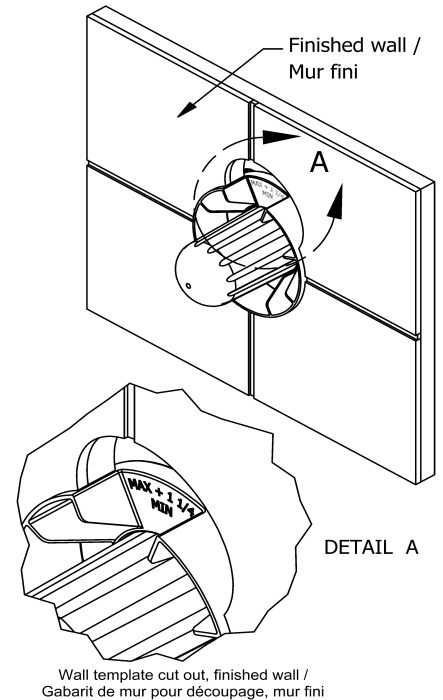
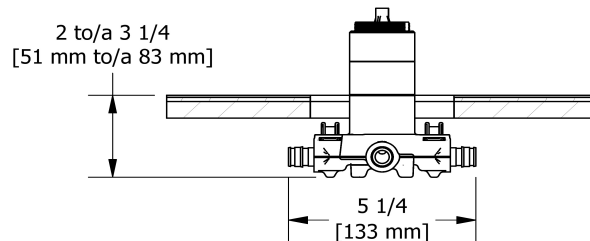
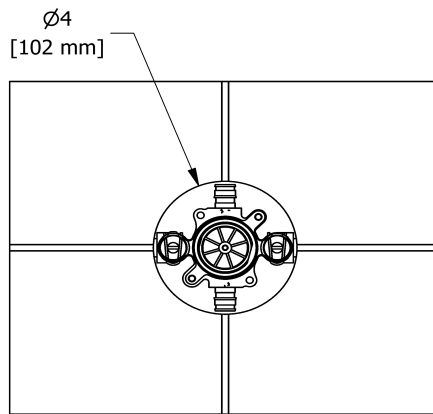
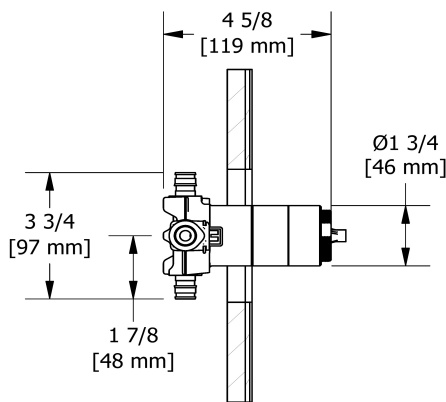
- C : Chrome
- BN : Brushed Nickel (PVD)

Available flows

- 24 L/min, 6.3 gpm (US) 60psi
- Type TP - For use with shower heads rated at 7L/min (1.8 gpm) or higher

Certifications

- CSA B125.1
- ASME A112.18.1
- ASSE 1016
- CMR248 Approval
- ADA



Sizes, models and finishes may differ from thoses presented.

Warranty

This **Riobel Inc.** product you have purchased carries a Limited Lifetime Warranty on the chrome, PVD finish, blacks and all working parts and is guaranteed from the initial purchase date against all manufacturing defects. All other finishes, including plastic components, are guaranteed for one year. All electric and/or electronic parts are covered by a 5-year limited warranty.

Customer Service

Ontario, West Canada : 888-287-5354 Quebec, Maritimes, United States : 866-473-8442



2-way Type T/P coaxial valve trim
TEQ23



Specifications

Descriptions

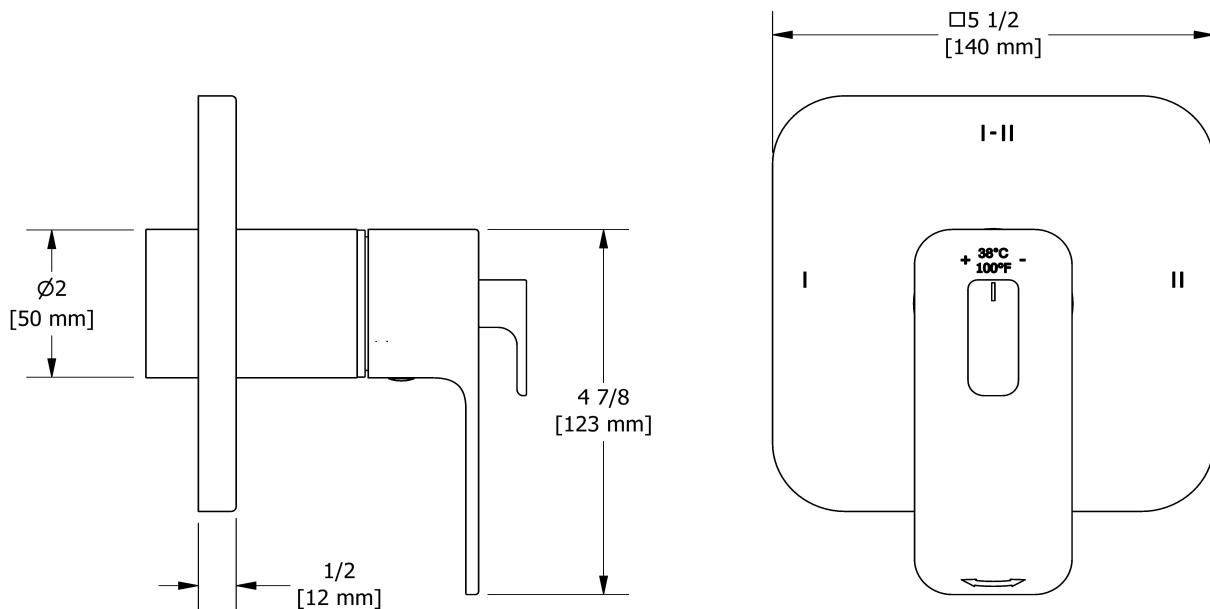
- 4 positions (OFF, 1, 1 and 2, 2) share
- Thermostatic/pressure balance coaxial cartridge with check valves
- Trim only
- R23, R23-SPEX or R23-EX rough required to complete

Available colors

- C : Chrome
- BN : Brushed Nickel (PVD)
- BK : Black

Certifications

- CSA B125.1
- ASME A112.18.1
- ASSE 1016
- CMR248 Approval
- ADA



Sizes, models and finishes may differ from those presented.

Warranty

This **Riobel Inc.** product you have purchased carries a Limited Lifetime Warranty on the chrome, PVD finish, blacks and all working parts and is guaranteed from the initial purchase date against all manufacturing defects. All other finishes, including plastic components, are guaranteed for one year. All electric and/or electronic parts are covered by a 5-year limited warranty.

Customer Service

Ontario, West Canada : 888-287-5354 Quebec, Maritimes, United States : 866-473-8442

2020.06.13



2-way Type T/P coaxial valve rough EXPANSION
PEX
R23-EX



Specifications

Descriptions

- TXX23XX or TXX44XX trim required to complete
- Service valves
- Rough only
- Test cap
- 1/2" inlet EXPANSION PEX
- Two 1/2" outlets EXPANSION PEX

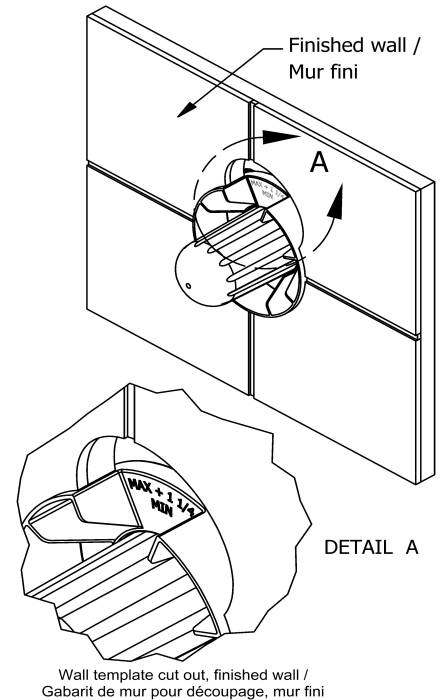
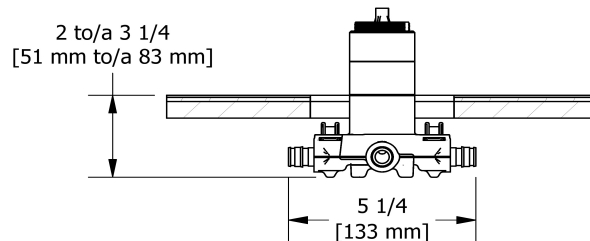
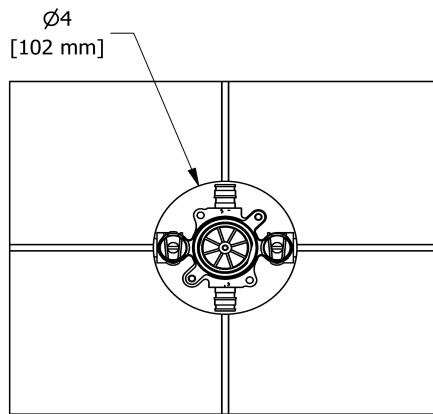
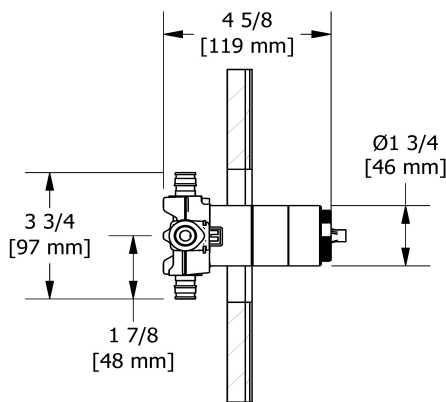
Available colors

- :

Certifications

- CSA B125.1
- ASME A112.18.1
- ASSE 1016
- CMR248 Approval

UPC®



Sizes, models and finishes may differ from thoses presented.

Warranty

This **Riobel Inc.** product you have purchased carries a Limited Lifetime Warranty on the chrome, PVD finish, blacks and all working parts and is guaranteed from the initial purchase date against all manufacturing defects. All other finishes, including plastic components, are guaranteed for one year. All electric and/or electronic parts are covered by a 5-year limited warranty.

Customer Service

Ontario, West Canada : 888-287-5354 Quebec, Maritimes, United States : 866-473-8442